

WTO

Open Impellered Stainless Steel Pumps



FEATURES

- Electric pump adopt stainless steel with advanced stamping and weld processing technology
- All components in contact with pumped liquid are made of AISI 304 or AISI 316 stainless steel
- Close-coupled, single impeller centrifugal pump with axial suction and radial delivery.
- Compact design, impeller is keyed directly to the motor shaft extension.
- Back pull-out design, no need to disconnect the pump body from the system pipes.
- Open-impeller with no diffusers or cavities for easier cleaning and maintenance, convey solid with diameter max. 19 mm.
- Efficient spiral-cased pump body design.
- Self-ventilated 2 poles asynchronous, squirrel cage rotor.
- Low noise standard motor with high-quality mechanical seal.
- Thermal protection for single phase motor.
- Protection under user's responsibility for the three phase version.
- Temperature of pumped liquid: -10°C to +110°C
- Insulation class F, IP55 protection
- Maximum operating pressure: 10 Bar
- Maximum environmental temperature: 40°C
- Variable speed by optional "W-Drive" drive.

APPLICATIONS

- Multi-purpose, transport a wide range of liquid.
- Washing vegetables, meat and fish.
- Industrial washing plants at cycle end.
- Washing and surface finishing of metal pieces, boxes, washing, bottles, vases, glass containers, crates, baskets.
- Industrial washing machines and commercial dishwashers
- Painting booths
- Washing of procedure in the packaging industry.
- Food and industry washing equipment and systems (bottle washing, citrus processing, brewing, sanitary ware)
- Dyeing plant and textile industry

- Plants for the circulation and transfer of moderately viscous liquids, with light chemical aggressiveness.
- Medical Chillers, laser cooling, sanitary equipment
- Film washing
- Heating, ventilating and air conditioning (HVAC)
- Air Scrubbers
- Water re-circulations
- Cooling towers
- Cooling systems
- Chillers
- Induction heating
- Heat exchangers
- Extrusion machines
- Manufacture of polymers
- Degreasing
- Parts Washing
- Waste treatment

MOST COMMONLY USED LIQUIDS

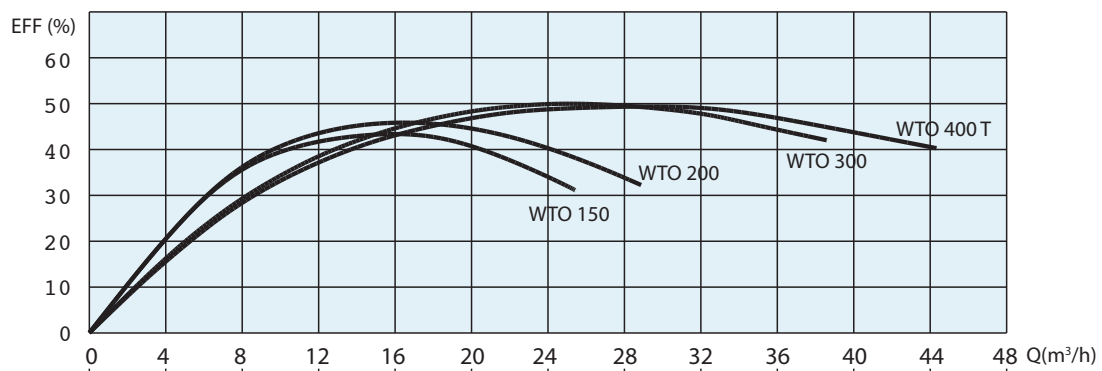
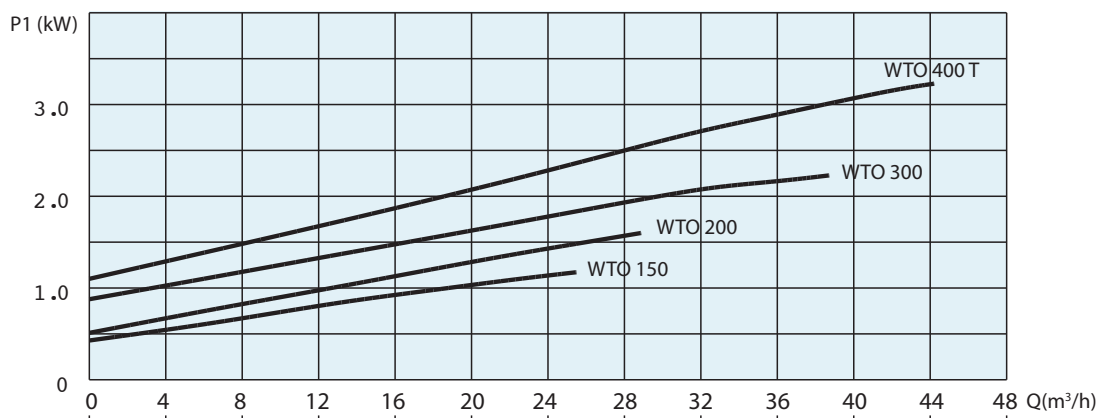
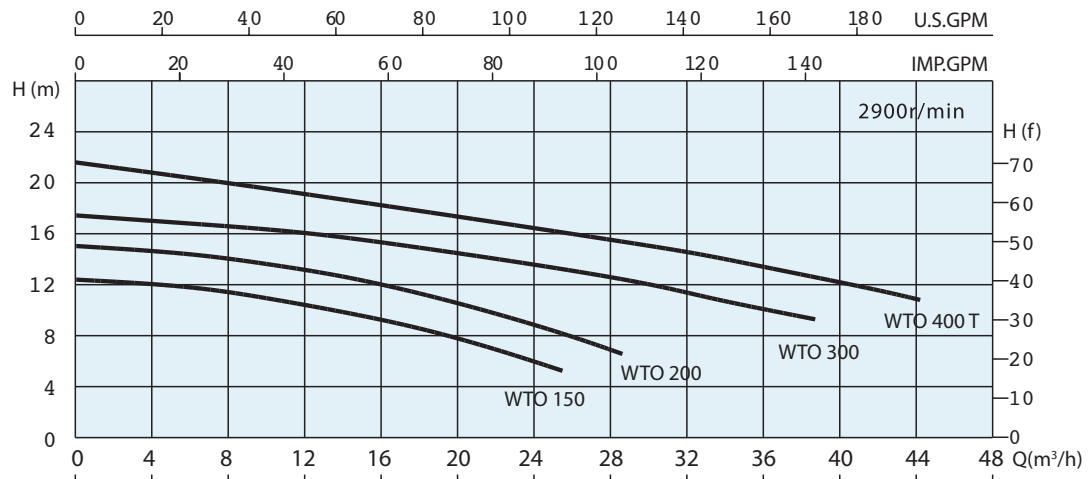
- Caustic Soda (25 %)
- Water Deionized (100 %)
- Water Demineralized (100 %)
- Citric Acid (5 %)
- Acetic Acid (80 %)
- Phosphoric Acid (15 %)
- Clean Water (100 %)
- Freon 113 (100 %)
- Ethylene glycol (50 %)
- Castor Oil (100 %)
- Mineral Oil (100 %)
- Sulphuric Acid (2 %, 97-98 %)

WTO

Open Impellered Stainless Steel Pumps

Performance Curves

Model	P2		1 PH 230 V A	3 PH 400 V A	l/min Q m ³ /h	0	100	166	233	300	366	433	500	566	666
	kW	HP				0	6	10	14	18	22	26	30	34	40
WTO 150	1,1	1,5	7	2,6	H (m)	12	11,5	10,5	9	7,5	6,5	5	-	-	-
WTO 200	1,5	2	9,2	3,5		15	14	13	12	10,5	9,5	8	6	-	-
WTO 300	2,2	3	14	4,9		17	16,7	16,5	15,5	14,5	13,5	12,5	11	10	-
WTO 400 T	3	4	-	6,3		21	20	19	18,5	17,5	17	16	15	14	13

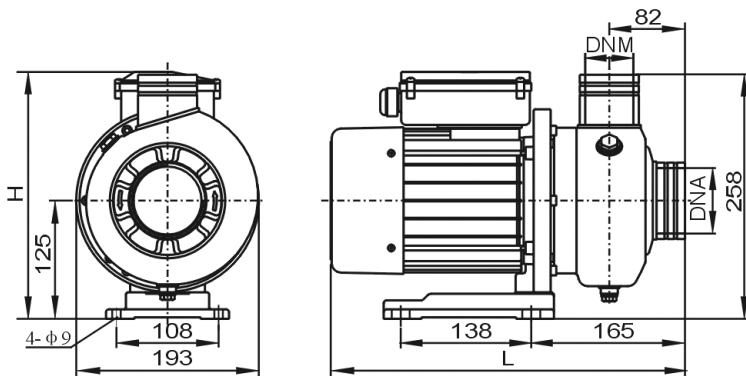


WTO

Open Impellered Stainless Steel Pumps

Performance Tables and Dimensions

MODEL	P2		1 PH 230 V A	3 PH 400 V A	l/min Q m ³ /h	0	100	166	233	300	366	433	500	566	666
	kW	HP				0	6	10	14	18	22	26	30	34	40
WTO 150	1,1	1,5	7	2,6	H (m)	12	11,5	10,5	9	7,5	6,5	5	-	-	-
WTO 200	1,5	2	9,2	3,5		15	14	13	12	10,5	9,5	8	6	-	-
WTO 300	2,2	3	14	4,9		17	16,7	16,5	15,5	14,5	13,5	12,5	11	10	-
WTO 400 T	3	4	-	6,3		21	20	19	18,5	17,5	17	16	15	14	13



Part	Material
Pump Body	AISI 304/AISI 316
Impeller	AISI 304/AISI 316
Shaft	AISI 304/AISI 316
Mechanical Seal	SIC/SIC/EPDM

Model	Power P2 (kW)	L	H (Single phase)	H (Three phase)	DNA	DNM	Weight (kg)
WTO 150	1,1	378	265	235	G2	G2	16
WTO 200	1,5	378	265	235	G2	G2	17,4
WTO 300	2,2	415	242	242	G2-1/2	G2	22
WTO 400T	3	432	/	242	G2-1/2	G2	23