

MV

Vertical Multi Staged Offline Pump



APPLICATIONS

Water supply pressure boosting for main pipes, high-rise buildings, cleaning systems, high pressures washing system and fire pump applications.

FEATURES

- A wide flow rates and pressure ranges
- Quiet running vertical multistage centrifugal pumps supplied with flanges
- Inlet and outlet positions can be rotated for a proper assembly according to installation requirement
- Easy installation and maintenance
- Stable operation and high efficiency through advanced hydraulic design.
- Water inlet and outlet connections are in cast iron with a special anti-rust treatment.
- Stainless steel welded shaft proves reliability

MATERIALS

- Pump body in cast iron internally Cathodic treatment
- Inlet/Outlet connection flanges in cast iron
- Shaft in stainless steel AISI420
- Impellers and diffusers in technopolymer
- Mechanical seal in graphite and alumina
- Motor housing in aluminium

WORKING CONDITIONS

- Liquid temperature: +5°C - 60°C
- Working pressure: 15 bars
- Ambient temperature 40°C

MOTOR

- 2-pole induction motor, 50 Hz (n=2900 rpm)
- Continuous operation
- Class F insulation
- Three phase,
 - 230/400V +/- 10%
 - 380/415V +/- 10%
- Protection IP54

MV

Vertical Multi Staged Offline Pump

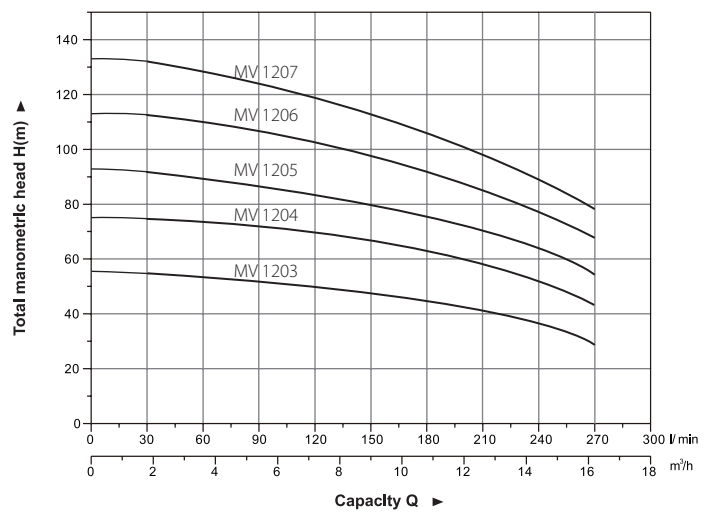
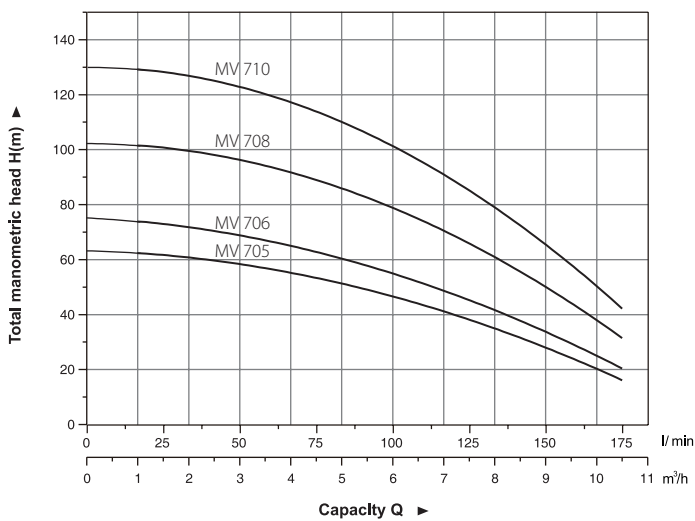
Performance Table

Model	P2		A	Q	l/min m ³ /h	0	1	2	3	4,5	6	7,5	9	10,5
	kW	HP				0	16,7	33,3	50	75	100	125	150	175
MV 705	1,8	2,5	4	H	m	64	62	60	58	54	47	38	28	16
MV 706	2,2	3	4,8			76	74	71	68	63	56	45	34	20
MV 708	3	4	6,5			103	100	97	95	90	80	66	50	31
MV 710	4	5,5	8,9			130	127	124	121	114	103	86	66	41

Model	P2		A	Q	l/min m ³ /h	0	2	4	6	8	10	12	14	16
	kW	HP				0	33	67	100	133	167	200	23	267
MV 1203	3	4	3,8	H	m	56	55	54	52	49	46	42	39	29
MV 1204	4	5,5	4,8			75	74	72	70	67	64	60	53	43
MV 1205	5,5	7,5	7			93	91	87	84	81	77	72	64	55
MV 1206	5,5	7,5	9			113	110	107	104	100	96	87	78	68
MV 1207	7,5	10	11,5			132	128	124	120	116	112	103	93	80

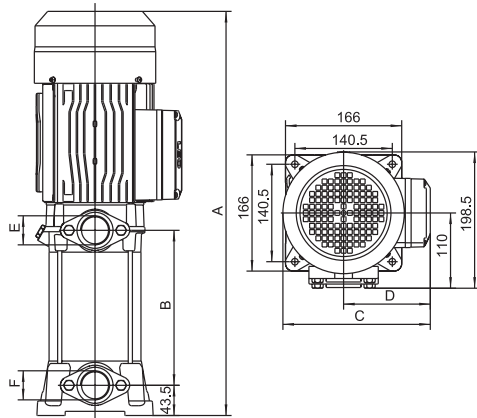
MV 7

MV 12

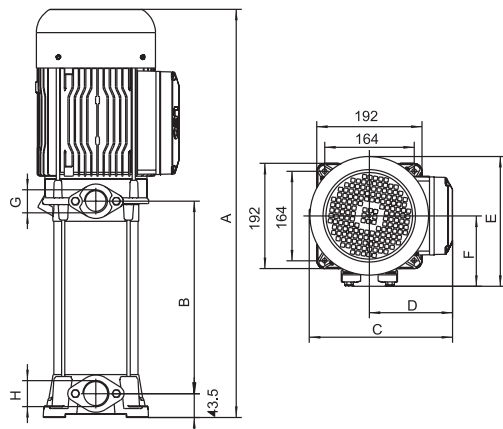


MV

Vertical Multi Staged Offline Pump



Type	A	B	C	D	E	F	G	H
MV 705	510	211,5	210	125	202	114,5	G¼"	G½"
MV 706	536,5	238	210	125	202	114,5	G¼"	G½"
MV 708	655	297,5	240	141	218	121,5	G¼"	G½"
MV 710	708	350,5	240	141	218	121,5	G¼"	G½"



Type	A	B	C	D	E	F	G	H
MV 1203	554,5	187	240	141	227	127	G¼"	G½"
MV 1204	577,5	220	240	141	227	127	G¼"	G½"
MV 1205	647	253	262	152	244	135	G¼"	G½"
MV 1206	680	286	262	152	244	135	G¼"	G½"
MV 1207	713	319	262	152	244	135	G¼"	G½"