



QDX-(A)

Application

- Small electrical irrigation and drainage equipments
- Particularly applied in urban well water pumping, field irrigation and drainage, garden irrigation and household water supply, as well as drainage of industrial accumulated water, water supply and drainage for construction, livestock breeding, etc.

Pump

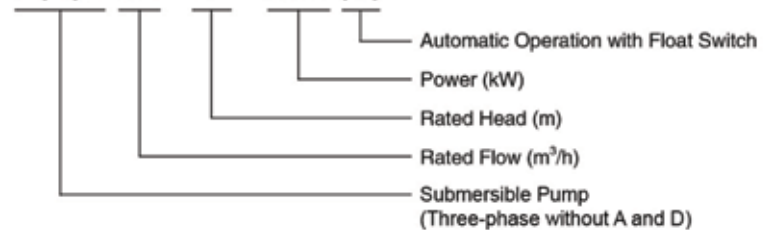
- Cast iron pump body under special anti-rust treatment
- Max. immersion depth: 5 m
- Max. liquid temperature: +40°C
- Liquid ph value: 6.5 - 8

Motor

- Copper winding
- Built-in thermal protector
- Stainless steel welded shaft
- Insulation class: B
- Protection class: IP68

Identification Codes

Q(D)X 1.5 - 32 - 0.75 (A)

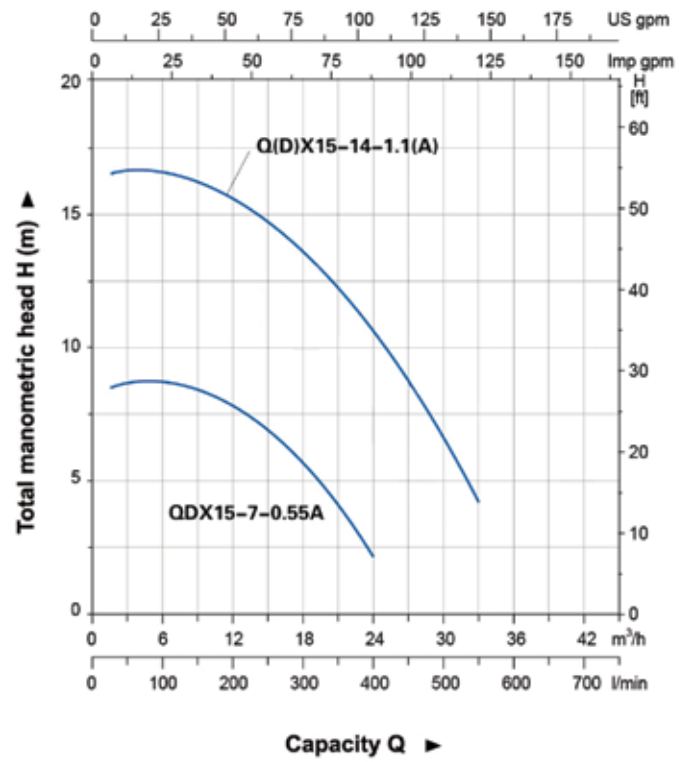
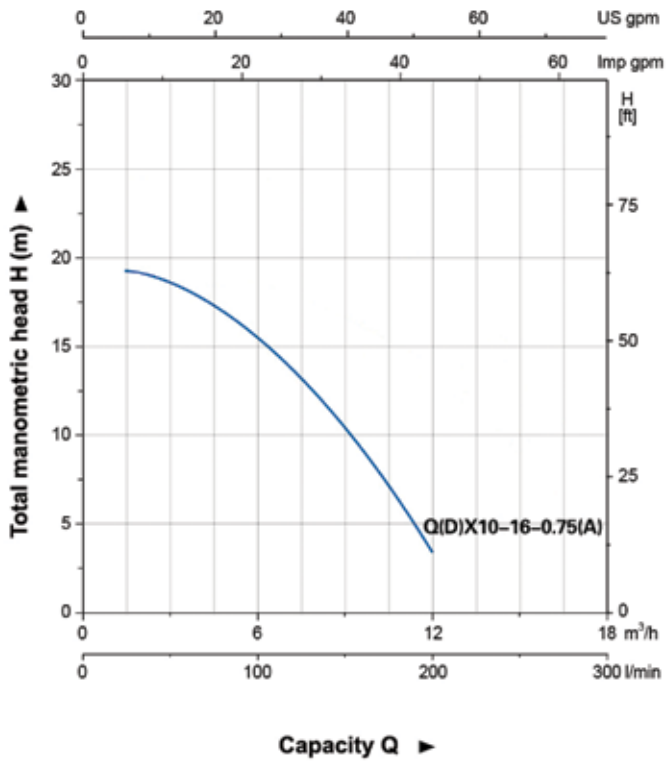


Technical Data

Model	Q(m³/h)	0	1.5	3	4.5	6	7.5	9	10.5	12	13.5	15	16.5	18	19.5	21	22.5	24	25.5	27	28.5	30	31.5	33	34.5	36	37.5	39	40.5	42	43.5	45	
	Q(l/min)	0	25	50	75	100	125	150	175	200	225	250	275	300	325	350	375	400	425	450	475	500	525	550	575	600	625	650	675	700	725	750	
*QDX15-7-0.55A	H (m)	8.6	8.5	8.5	8.4	8.3	8.3	8.3	8.2	7.8	7.4	7	6.3	5.8	4.9	4.1	3.2	2.2	-	-	-	-	-	-	-	-	-	-	-	-	-	-	-
Q(D)X10-16-0.75(A)		19.5	19.2	19	18.6	18	17	16.3	15.6	13.7	11.8	9	7.5	-	-	-	-	-	-	-	-	-	-	-	-	-	-	-	-	-	-	-	
Q(D)X15-14-1.1(A)		16.6	16.6	16.5	16.4	16.3	16.2	16.1	15.7	15.4	14.8	14.2	13.5	12.8	12.1	11.5	10.9	9.9	8.9	7.8	6.8	5.5	4.3	-	-	-	-	-	-	-	-	-	-

* single phase only

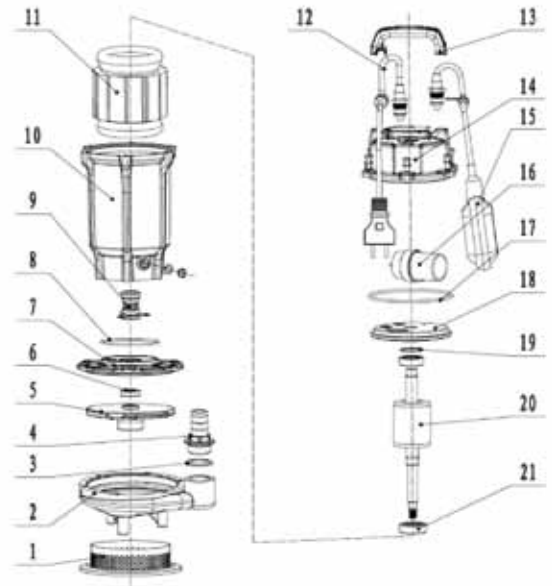
Hydraulic Performance Curves



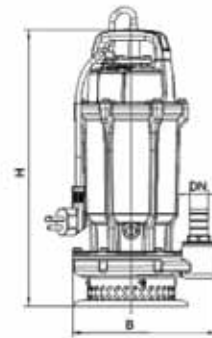
Materials Table

No.	Part	Material
1	Filter	Stainless steel
2	Pump body	HT200
3	O-Ring	NBR
4	Outlet connector	HT200
*5	Impeller	PPO/HT200
6	Oil seal	
7	Cover of cylinder	HT200
8	O-Ring	NBR
9	Mechanical seal	Upper: Ceramic/Carbon Lower: SiC/Carbon
10	Motor casing	HT200
11	Stator	
12	Cable assembly	
13	Handle	PP
14	Float switch	
15	Top cover	HT200
16	Capacitor	
17	O-Ring	NBR
18	End cover	HT200
19	Wave spring pad	
20	Rotor	
21	Bearing	

*HT200 for QDX25-6-0.75A and QDX40-5.5-1.1A



Dimension



Package Information

Model	DN	H (mm)	B (mm)
QDX15-7-0.55A	50	240	170
Q(D)X10-16-0.75(A)	40	220	160
Q(D)X15-14-1.1(A)	65	270	180