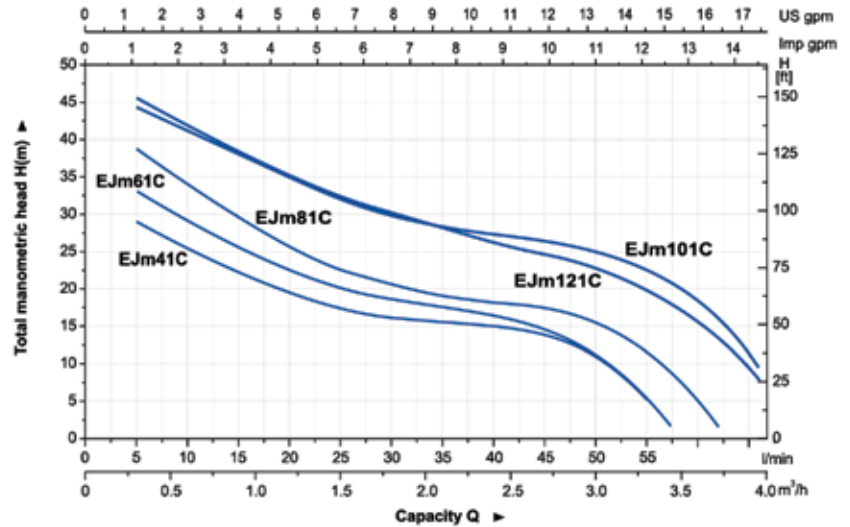




**EJm**

**HYDRAULIC PERFORMANCE CURVE**



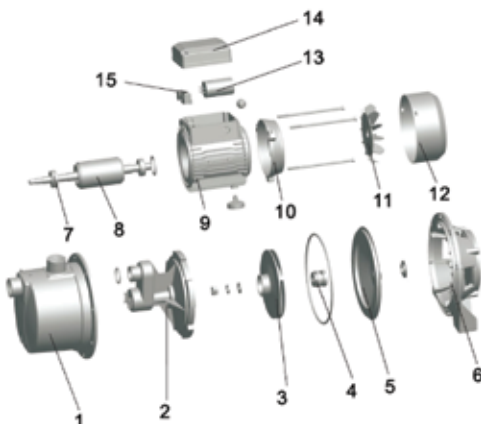
**Pump**

- Transfer of clean water or non-aggressive liquid
- Special anti-rust treatment for pump body and support
- Stainless steel impeller
- AISI 304 shaft
- Max. liquid temperature: +60°C
- Max. suction: +9 m

MODEL	POWER		INLET/OUTLET	MAX.FLOW (l/min)	MAX.HEAD (m)	MAX.SUCT (m)
	(kW)	(HP)				
EJm41C	0.3	0.4	1" x 1"	55	33	9
EJm61C	0.45	0.6	1" x 1"	55	38	9
EJm81C	0.6	0.8	1" x 1"	61	43	9
EJm101C	0.75	1.0	1" x 1"	68	48	9
EJm121C	0.9	1.2	1" x 1"	70	50	9

**Motor**

- Copper winding
- Built-in thermal protector for single phase motor
- Insulation class: F
- Protection class: IPX4
- Max. ambient temperature: +40°C

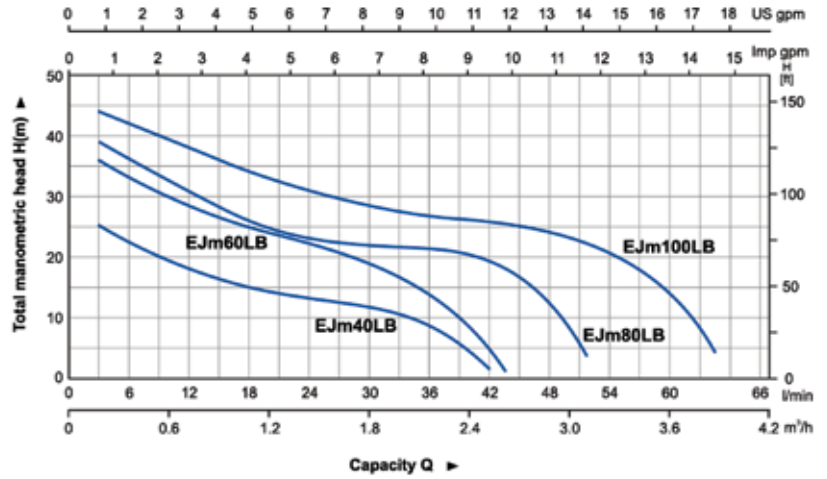


Part	Material	Remark
1	Pump body	Stainless steel
2	Diffuser	PPO
3	Impeller	Brass/PPO/Stainless steel
4	Mechanical seal	Ceramic/Carbon
5	Bracket cover	Stainless steel
6	Support	Aluminum
7	Bearing	
8	Rotor	Welded stainless steel shaft
9	Stator	Aluminum casting
10	End plate	Aluminum
11	Fan	PP
12	Fan cover	Iron
13	Capacitor	
14	Cover box	ABS
15	Terminal	



**EJm**

**HYDRAULIC PERFORMANCE CURVE**



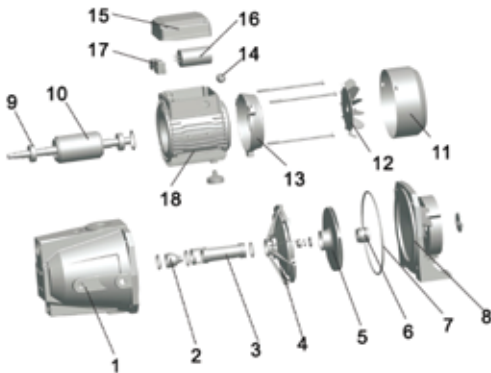
**Pump**

- Transfer of clean water or non-aggressive liquid
- Special anti-rust treatment for pump body and support
- PPO impeller
- AISI 304 shaft
- Max. liquid temperature: +60°C
- Max. suction: +9 m

MODEL	POWER		INLET/OUTLET	MAX.FLOW (l/min)	MAX.HEAD (m)	MAX.SUCT (m)
	(kW)	(HP)				
EJm40LB	0.3	0.4	1" x 1"	42	28	9
EJm60LB	0.45	0.6	1" x 1"	44	40	9
EJm80LB	0.6	0.8	1" x 1"	51	42	9
EJm100LB	0.75	1.0	1" x 1"	65	46	9

**Motor**

- Copper winding
- Built-in thermal protector for single phase motor
- Insulation class: F
- Protection class: IPX4
- Max. ambient temperature: +40°C



Part	Material	Remark
1 Pump body	Cast iron	E-coating
2 Nozzle	PPO	
3 Runner body	PPO	
4 Water outlet cover	PPO	
5 Impeller	PPO	
6 Mechanical seal	Ceramic/Carbon	
7 Sealing ring	NBR	
8 Support	Cast iron	E-coating
9 Bearing		
10 Rotor		Welded stainless steel shaft
11 Fan cover	Iron	
12 Fan	PP	
13 End plate	Aluminum	
14 Outlet nozzle	NBR	
15 Cover box	ABS	
16 Capacitor		
17 Terminal		
18 Stator	Aluminum casting	