



Impeller



Float Switch
(For Power ≤ 1.1kW)

EDSU

(Hose coupling as standard.
Flange elbow is available on request.)



Applications

- Drainage of wastewater from the attenuation tank, purifying tank and sewage tank in water treatment plant
- Drainage of waste water containing fibrous additives from leather factory and food processing factory.
- Sewage management, accumulated water, septic tank, stock farm.
- Pumping sewage form hotels, restaurants, schools and public buildings

Features

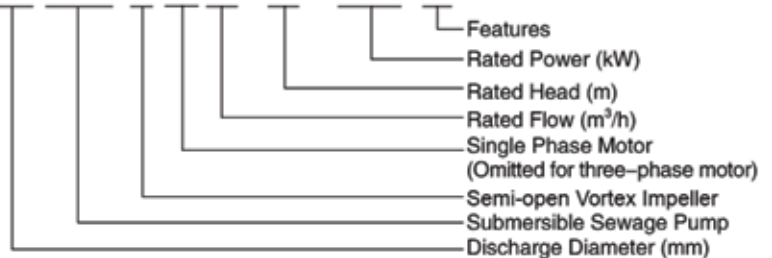
- Semi-open vortex impeller, suitable for liquid containing impurities and long fiber substance
- Flexible installations with hoses, pipes or quick-coupling systems
- Float switch as standard accessory for single phase (≤1.1kw)
- Double-end mechanical seal
- Stainless steel welded shaft
- Liquid temperature: 0 - 40 °C
- Liquid PH value: 4 - 10
- Max. immersion depth: 5 m

Motor

- Frequency/Pole number: 50 Hz/2
- Insulation class: F
- Protection class: IPX8
- Bearing: Ball type

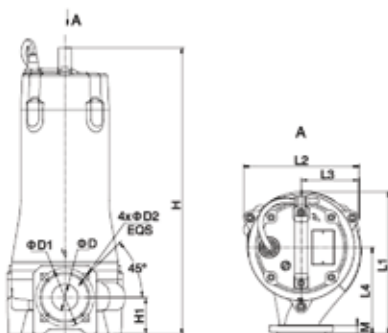
Identification Codes

50 EDS U m 9 - 6 - 0.55 L



Technical Data

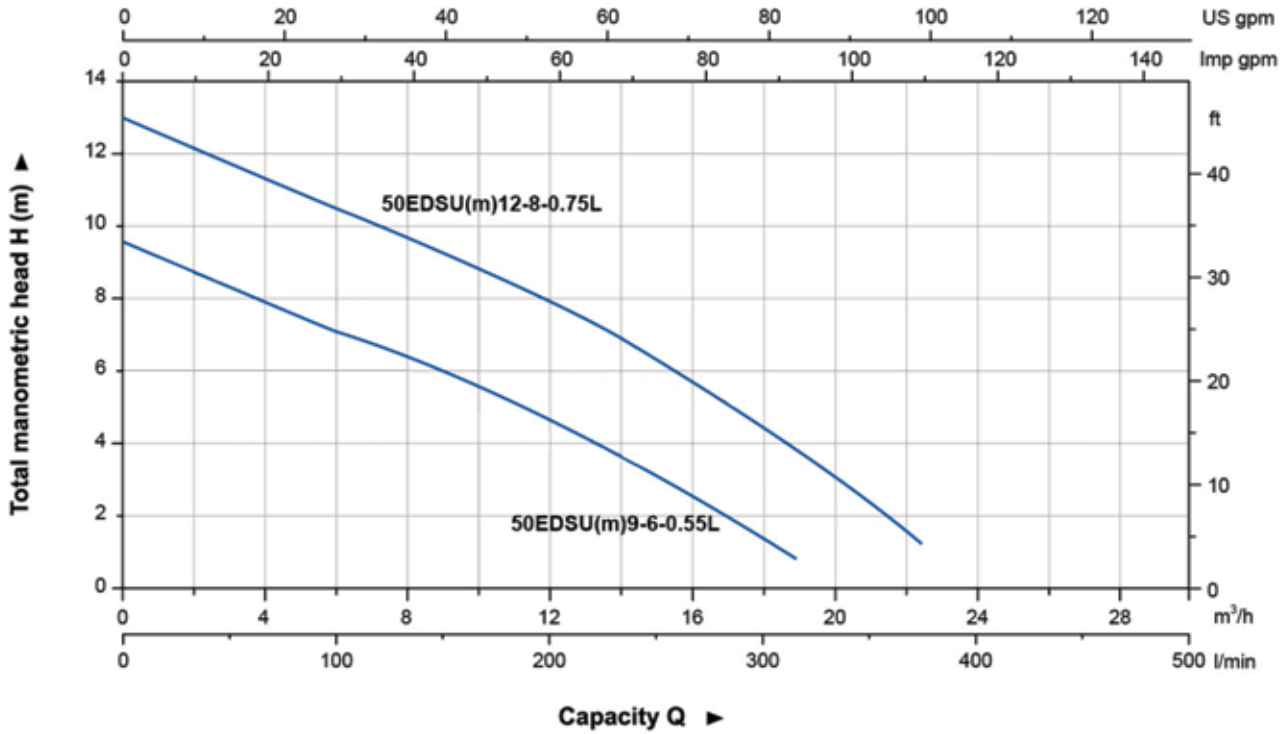
Model		Discharge mm (inch)	Power		Rated Flow (m³/h)	Max. Flow (m³/h)	Rated Head (m)	Max. Head (m)	Solid Passage (mm)
Single Phase	Three Phase		kW	HP					
50EDSUm9-6-0.55L	50EDSU9-6-0.55L	50 (2")	0.55	0.75	9	19	6	9.5	35
50EDSUm12-8-0.75L	50EDSU12-8-0.75L	50 (2")	0.75	1	12	22.5	8	13	35



Dimension

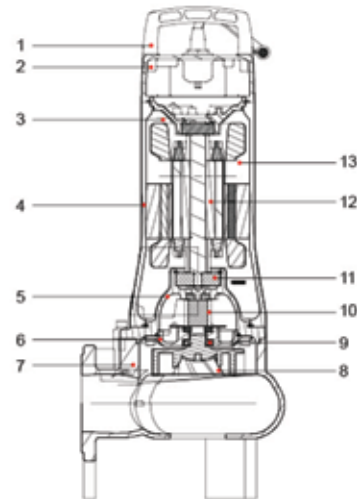
Model		L1	L2	L3	L4	H	H1	D	D1	D2	M
Single Phase	Three Phase										
50EDSUm9-6-0.55L	50EDSU9-6-0.55L	195	160	80	121	483	64	35	110	14	14
50EDSUm12-8-0.75L	50EDSU12-8-0.75L	195	160	80		483	64	35			

Hydraulic Performance Curves



Materials Table

No.	Part	Material
1	Handle	ZG45
2	Upper cover	HT200
3	Upper bearing seat	HT200
4	Motor body	HT200
5	Oil chamber	HT200
6	Pump cover	HT200
7	Pump body	HT200
8	Impeller	HT200
9	Oil seal	
10	Mechanical seal	Upper:SiC/Carbon Lower:SiC/SiC
11	Bearing	
12	Rotor	
13	Stator	



Package Information

Model		GW (kg)		L (mm)	W (mm)	H (mm)	Quantity (PCS/20' TEU)
Single Phase	Three Phase	1~	3~				
50EDSU9-6-0.55L	50EDSU9-6-0.55L	24.6	23.9	746	254	286	544
50EDSU12-8-0.75L	50EDSU12-8-0.75L	25.9	25.2	746	254	286	544